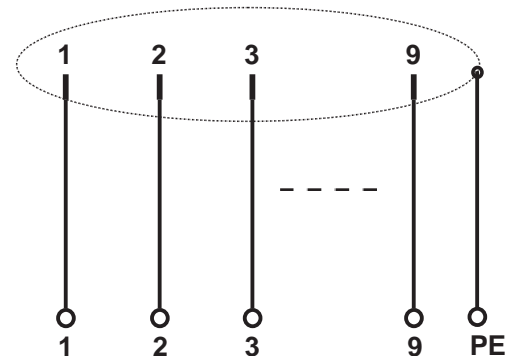
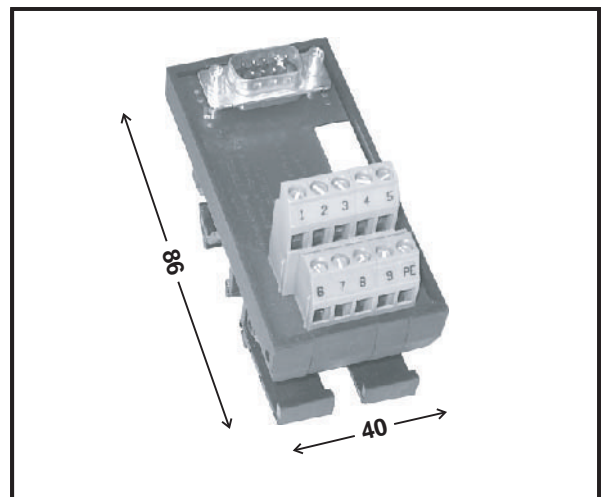


Transfer module for SUB-D- pin contact 9-pin

to snap onto DIN - rail EN 50022
and EN 50035

Passive hand over element from
pin strip to screw terminal



Short designation / type	USV - S - 9 - S
Art. - No.	01.01.011
Technical data: pin strip	
Implementation	pin strip 9-pin
Rated voltage	125VAC / 125VDC
Current-carrying capacity each contact	2,5A by 70°
Contact pin material	Ni / Au
Interlock clamp	4 - 40 UNC
Technical data: screw terminal	
Mode of terminal	Double row terminals
Clamping part	Brass, nickel plated
Creep resistance	KB 500
Insulation body	PA6GV/PBTP
Approvals	UL,SA (clamp)
Other data	
Ambient temperature range	-20°C to + 70°C
Status indicator	no
Case: plastic	can be snapped
Position of installation / mounting	addable
Mode of connection: screw terminal	single wire 4mm ² , fine wire 2,5mm ²
clearance and creeping distance	according to DIN VDE 0110
Dimensions: W x D x H	40mm x 86mm x 65mm